

### GENERAL

PROTECTION AND STATUS INDICATORS	WITH	WITHOUT
FLUID	: air ou gaz neutre, filtré, lubrifié ou non	
PRESSURE SETTING	: 0,5 to 10 bar (0,2 - 6 bar on request)	
HYSTERESIS	: 0,4 bar at the beginning of adjustment range 1 bar at the end of adjustment range	
MAX. PRESSURE (PMA)	: 10 bar or 16 bar	
OPERATING TEMPERATURE	: -10°C; +60°C	: 0°C, +60°C
MAX. VOLTAGE	: 250 V - CA/CC	: 24 Volts-courant continu
CURRENT BREAKING CAPACITY	: 5A - 250V resistive	: 2A - 24Vcc resistive
PROTECTION DEGREE	: IP65	
MOUNTING POSITIONS	: all positions	
MAX. SPEED	: 60 cycles per minute	

### CONSTRUCTION

Grivory (PA61/XT) body / aluminium body for 16 bar version  
Nitrile (NBR) sealings  
Commutator (reversing switch) • at rest : contact 1 - 2 made  
• at work : contact 1 - 3 made

Mechanical service life : 5.10<sup>6</sup> contacts  
Pressure set by set screw and lock-nut

### SPECIFICATIONS

Type	Designation	Pressure setting (bar)	Art. No. without protection
	Adjustable pressure switch with side pneumatic connection, <b>tapped</b> G1/4	0,2 - 6 0,5 - 10 0,5 - 16	103005 - DS 4801 103006 - DS 4802 103007 - DS 4803
	Adjustable pressure switch with <b>subbase mounted</b> pneumatic connection (version adaptable on FRL, see P710)	0,5 - 10	100280 - DS 9410



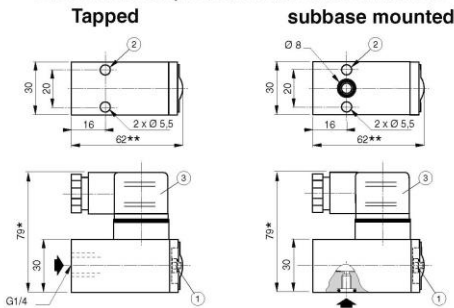
ELECTRICAL CONNECTION



### DIMENSIONS AND WEIGHT

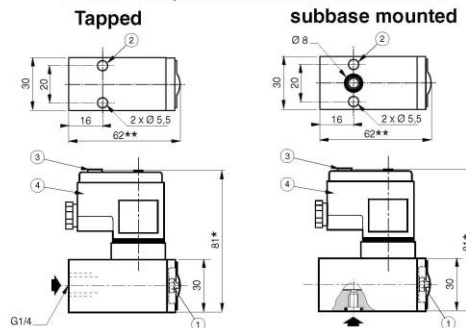
Weight : 110 g

Version without protection and status indicators

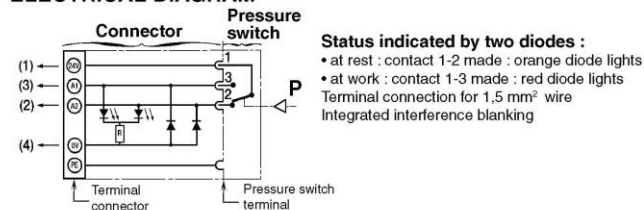


- ① Pressure set screw (spanner for hexagon nuts : 3 mm)
- ② 2 holes Ø 5,5 for mounting
- ③ ISO4400 size 30 connector, 4 terminals, rotatable by 90°  
\* + 15 mm for connector clearance  
\*\* + 2 mm for 0,5 - 16 bar version

Version with protection and status indicators



### ELECTRICAL DIAGRAM



- ① Pressure set screw (spanner for hexagon nuts : 3 mm)
- ② 2 holes Ø 5,5 for mounting
- ③ Identification label holder
- ④ ISO 4400 size 30 connector, 4 terminals (**not rotatable**)  
\* + 15 mm for connector clearance  
\*\* + 2 mm for 0,5 - 16 bar version

Status indicated by two diodes :  
• at rest : contact 1-2 made : orange diode lights  
• at work : contact 1-3 made : red diode lights  
Terminal connection for 1,5 mm<sup>2</sup> wire  
Integrated interference blanking

### Equipment plug

Article nr.	Type number	Description
100282	1920.11P4	Equipment plug for pressure switch